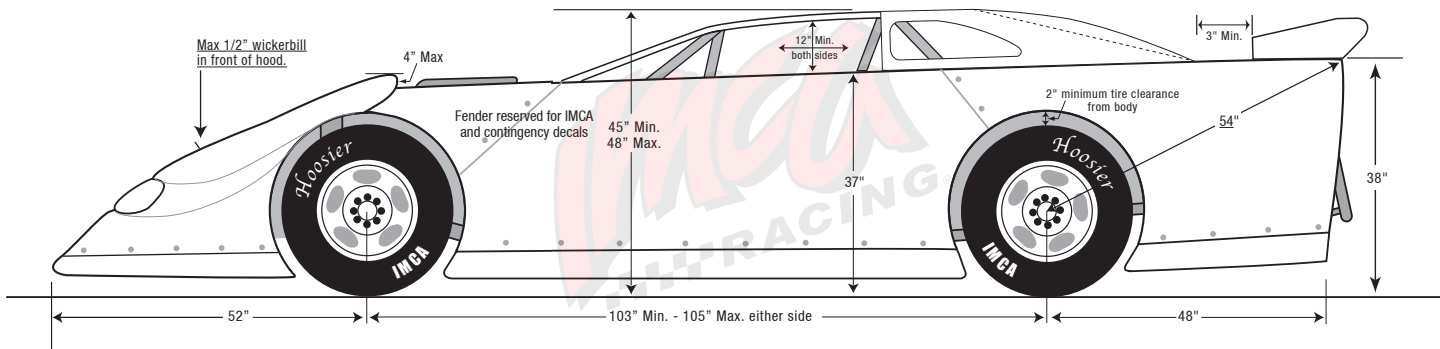


IMCA Late Model Body Dimensions For 2017



All body measurements are Max. unless otherwise specified. Dimensions have zero tolerance.

