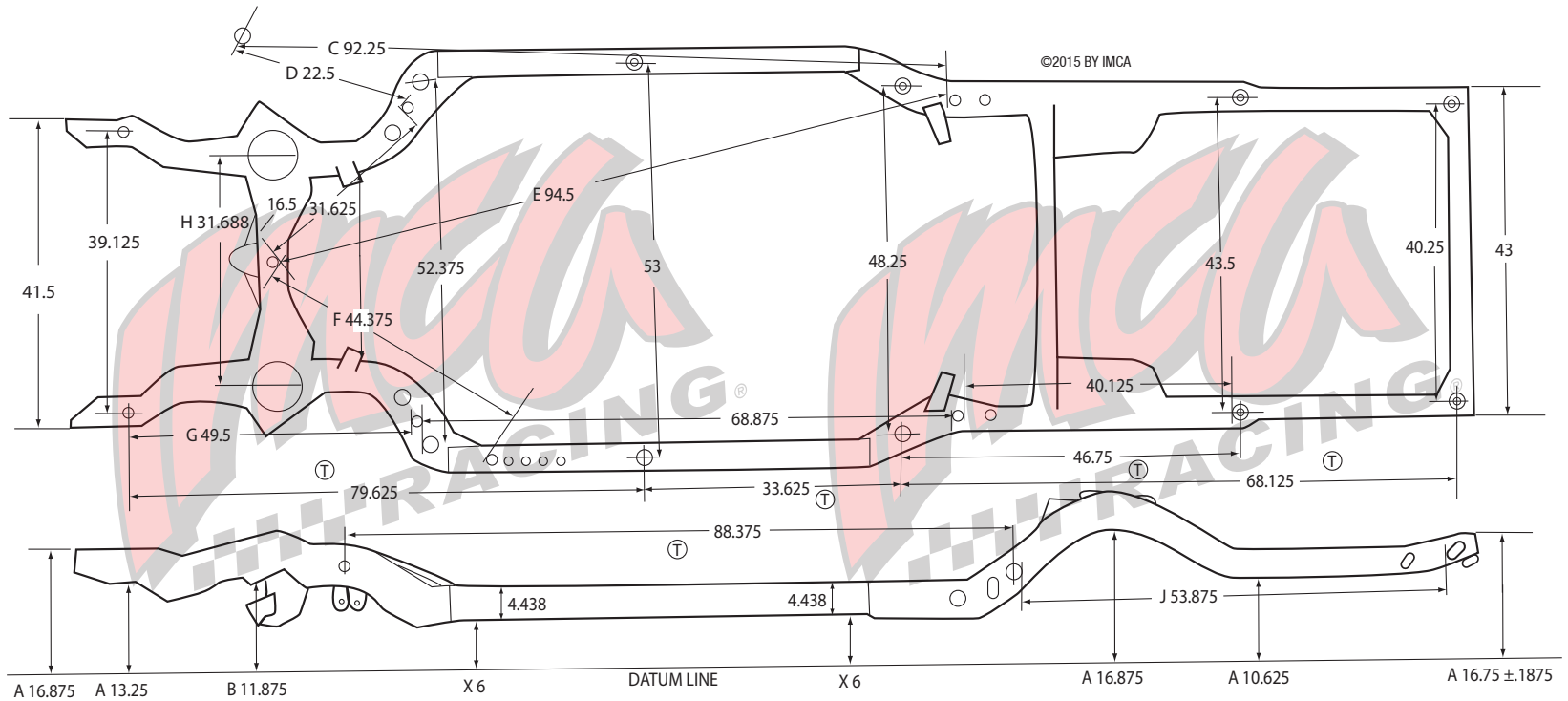


# 1971-1972 Chevrolet Monte Carlo Frame

201503

- Dimensions are to either the top or bottom surface of the frame rail as indicated.

- All dimensions must be within 0.250-inch tolerance. Exception is variances officials verify as crash damage.



- A.** These dimensions are to either the top or bottom surface of the frame rail as indicated.
- B.** 11.875, bottom surface of frame rail (just forward of coil spring opening) to datum line.
- C.** 92.25 center of lower ball joint grease fitting, to edge of hole.
- D.** 22.5 center of lower ball joint grease fitting, to edge of hole.
- E.** 94.5 edge of cross member hold to edge of indicated hole.
- F.** 44.375 edge of cross member hole to edge of hole.

- G.** 49.5 center of hole (frame horn bottom) to edge of indicated hole.
- H.** 31.688 top side, between upper control arm inner shaft seats (at shim contact area).
- J.** 53.875 edge of tie down hole to edge of rear slotted hole.
- X.** locations for mounting #2 and #3 datum gauges. Adjust signing pins to 6" below lowermost surface of frame side rail at both locations.
- T** dimensions require tramping with tram bar adjusted parallel to plane of frame. other dimensions are direct.